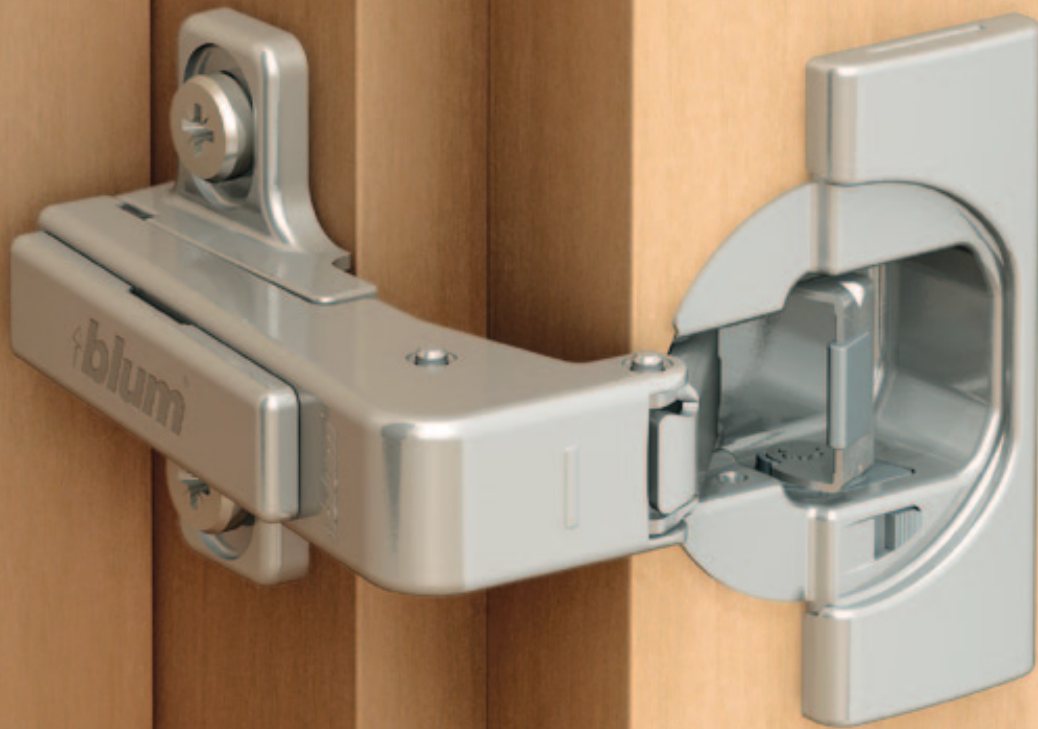


BLUMOTION

inside

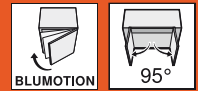


# MODUL BLUMOTION blind corner hinge inset application

Technical data sheet

# MODUL BLUMOTION

## Blind corner hinge inset application



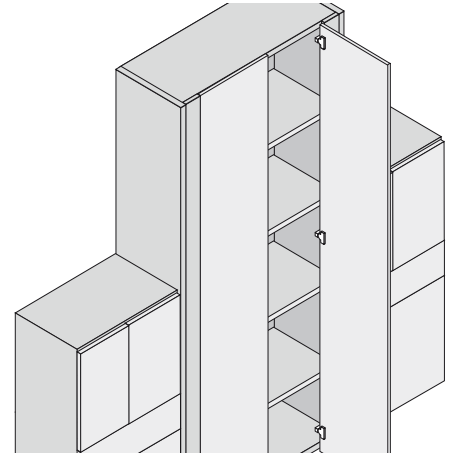
### Product



### Description

- Hinge for **blind corner inset applications**
- With integrated **BLUMOTION** (with deactivation)
- Slide on hinge arm
- Compatible with existing mounting plates
- All metal hinge, nickel plated
- 95° opening angle
- With closing mechanism (spring)
- 3-dimensional front adjustment (with corresponding mounting plate)

### Application



### Order specification

<b>Inset</b>		
	<b>Screw-on boss</b>	
Steel boss with spring	99B9550	

<b>EXPANDO</b>		
Steel boss with spring	99B958E	

<b>Cover caps</b>		
	Steel	Nickel plated
Plain	90M2503	
Stamped	Blum	90M2503.BP

### Accessories

<b>Mounting plate</b>		
Spacing	3 mm	Part no.
Zinc	Nickel plated	199.8130

<b>Boss cover cap for screw-on/knock-in boss</b>		
Steel	Nickel plated	70T3504

<b>Chipboard screws for hinge boss fixing</b>		
3.5 x 15 mm	609.1500	
3.5 x 17 mm	609.1700	

# MODUL BLUMOTION

## Blind corner hinge inset application

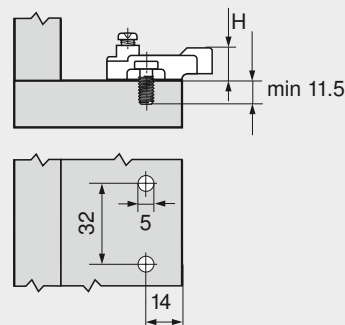
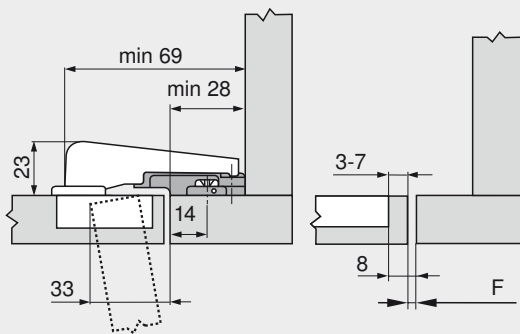


### Planning

Hinge dimensions and gap calculation based on factory setting (mounting plate spacing = 3 mm)

Door protrusion at full opening angle

#### Inset



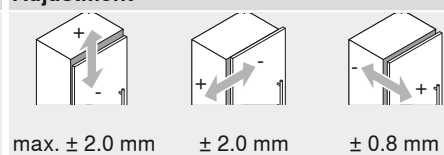
Fixing position from inside edge of blind corner: 14 mm  
 Special mounting plate for blind corner application: 199.8130

F Gap

#### Minimum gap (F) for fronts with a front radius (R = 1 mm) based on the factory setting

#### Adjustment

Boss drilling distance	Front thickness											
	16	18	19	20	22	24	26	28	29	30	31	32
3	0.2	0.3	0.4	0.5	0.8	1.0	1.5	1.9	A trial application is recommended			
4	0.2	0.3	0.4	0.5	0.7	1.0	1.4	1.8				
5	0.2	0.3	0.4	0.5	0.7	1.0	1.4	1.8				
6	0.2	0.3	0.4	0.5	0.7	1.0	1.4	1.8				
7	0.2	0.3	0.4	0.5	0.7	0.9	1.4	1.7				



#### Screw-on assembly

#### EXPANDO

#### Hinge boss dimensions

